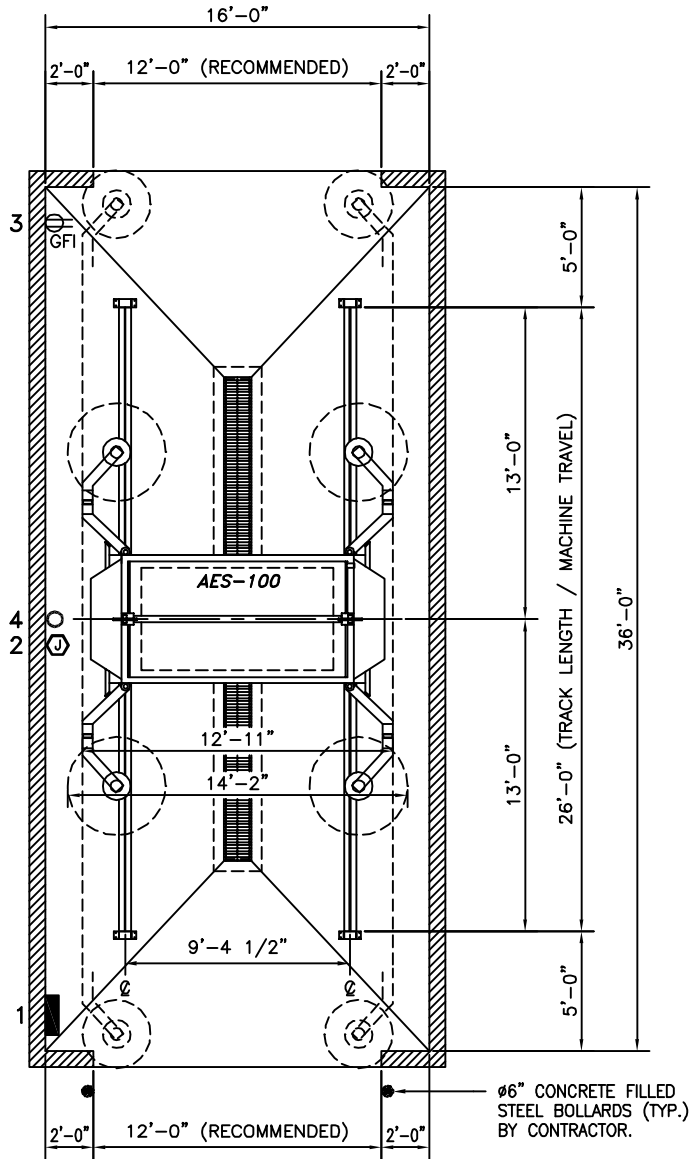


DEALERSHIP DRIVE-THRU LAYOUT
AES-100 SOFT TOUCH POLISHER



NOTE: (16'W X 36'-0"L) MIN. RECOMMENDED BAY SIZE FOR OPTIONS SHOWN AND NEW CONSTRUCTION. CONSULT FACTORY FOR SMALLER EXISTING BAY INSTALLATION REQUIREMENTS AND OTHER OPTIONS AVAILABLE.

AIR COMPRESSOR REQUIRED (REMOTE LOCATION) - BY OWNER -

NOTES:

- 1) EQUIPMENT OPTIONS OTHER THAN THOSE SHOWN ARE AVAILABLE.
- 2) CONTACT THE AUTEC FACTORY AT 800.438.3028 OR SEE OUR WEB SITE FOR MORE INFORMATION.

www.autec-carwash.com

↑
ENTER

SCALE: 1/8" = 1'-0"

AUTEC Car Wash Systems - Copyright 2006		
DATE: 06-22-06	DWG. NO. 100-1-0001	REV. 0

DEALERSHIP SPECIFICATIONS

AES-100 SOFT TOUCH POLISHER

ITEM NO.ELECTRICAL SPECIFICATIONS

1. Customer to furnish 60 AMP, 208/230V, 3 phase disconnect – Item 1, mounted 5'-0" above floor. Customer to run 3 no. 6 wires, plus ground wire, in conduit from Item 1 to Junction Box – Item 2.
2. Customer to furnish 4" x 4" x 4" deep junction box – Item 2, located 9'-0" above floor. AUTECH to furnish flexible cables from Junction Box – Item 2 to AES-100 Washer.
3. Customer to furnish one (1) 115V, 1ph, GFI duplex weatherproof receptacle, Item 3, located at 4'-0" above floor.

ITEM NO.AIR SPECIFICATIONS

4. Customer to furnish air service (3/8" min. – "black" iron) – Item 4, mounted at 10'-0" above floor and supply a minimum of 100 psi, locate connection at center of track and securely fastened to wall structure, for air supply to AES-100 Polisher. AUTECH to furnish and connect flexible air line from Item 4 to AES-100 Polisher.

GENERAL NOTES:

- Customer to furnish and install plumbing and electrical items that are required to conform to local and state codes.
- All electrical & plumbing connections are the responsibility of the customer and are to be made by qualified personnel.
- All dimensions called out in specifications are to the bottom of the Item.
- Inside height clearance must be 10'-6" min. for AUTECH equipment.
- Inside height clearance for overhead doors and bay heaters must be verified with the manufacturer.
- Wash Bay Door height opening must be 10'-0" min.
- These specifications are for general information only.
- Certain items may be located elsewhere in order to meet site requirements.

AUTECH
Car Wash Systems - Copyright 2006

DATE: 06-22-06	DWG. NO. 100-1-0001	REV. 0
----------------	---------------------	--------